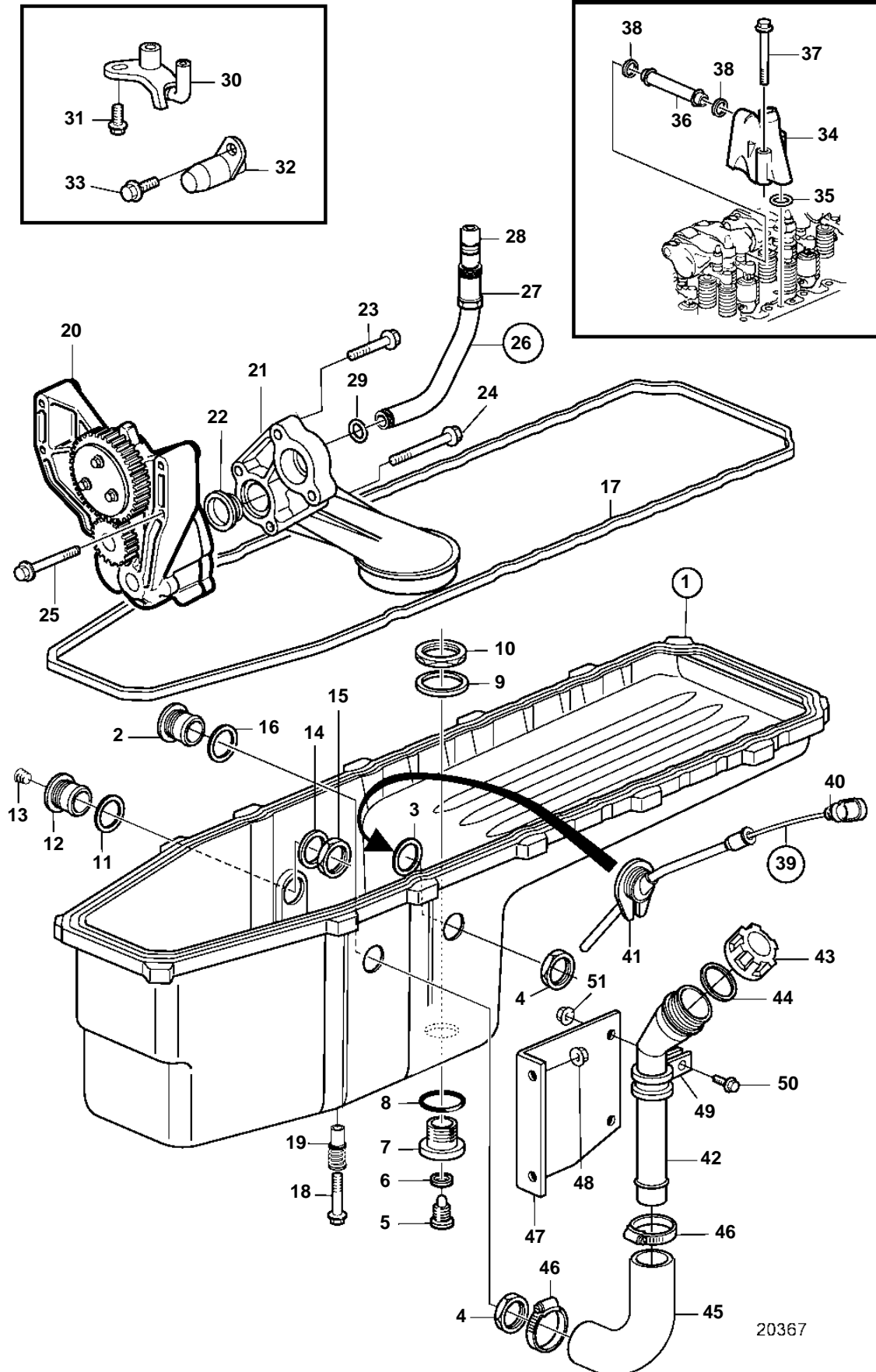


TWD1240VE, TAD1241VE, TAD1242VE



TWD1240VE, TAD1241VE, TAD1242VE

REF	PART NO.	QTY	DESCRIPTION	SEE SEC.	NOTES
1	3588798	1	Oil pan		
2	468940	1	• Hose connection		
3	468947	1	• Sealing ring		
4	468948	2	• Nut		
5	20571854	1	• Plug		(20556987)
6	20579690	1	• Gasket		(20556989)
7		1	• Sleeve		Included in repair kit 3809423.
8	949721	1	• O-ring		Included in repair kit 3809423.
9		1	• Washer		Included in repair kit 3809423.
10		1	• Nut		Included in repair kit 3809423.
11	949658	1	• O-ring		
12		1	• Sleeve		Included in repair kit 3809423.
13	479977	1	• Plug		
14	20364258	1	• Washer		
15		1	• Nut		
16	468947	1	• Sealing ring		
17	20532272	1	Sealing strip		
18	20463185	14	Flange screw		
19		14	• Spring sleeve		
20	8170261	1	Oil pump		
				4618	
21	8170878	1	Suction pipe		
22	465784	1	Sealing ring		
23	965180	3	Flange screw		L=60mm
24	968842	1	Flange screw		L=110mm
25	471734	4	Screw		
26	20411298	1	Pressure pipe		
27		1	• Nut		
28		1	• Ferrule		
29	8170558	1	Sealing ring		
30	3155151	6	Jet		
31	966378	6	Flange screw		
32	8170583	1	Nozzle, transmission		
33	471586	1	Screw		
34	8170702	1	Intermediate section		
35	1636309	1	Sealing ring		
36	8193971	1	Outlet pipe		
37	3165142	2	Flange screw		
38	1677370	2	Sealing ring		
39	3807498	1	Oil dipstick		
40	925054	1	• O-ring		
41	3839161	1	Tube		
42	20808092	1	Oil filler pipe		(8149086)
43	20807510	1	• Oil filler cap		(3154328)
44	20365079	1	• • Gasket		
45	3831383	1	Hose		
46	943476	2	Hose clamp		
47	3831384	1	Bracket		
48	977938	2	Flange lock nut		
49	949997	2	Clamp		
50	946440	2	Flange screw		
51	945408	2	Flange nut		